

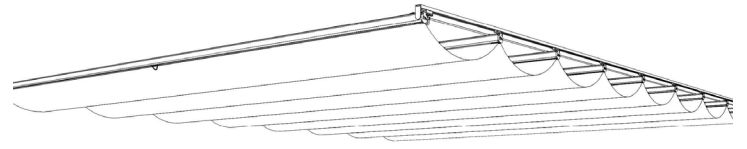
# CABANA UP





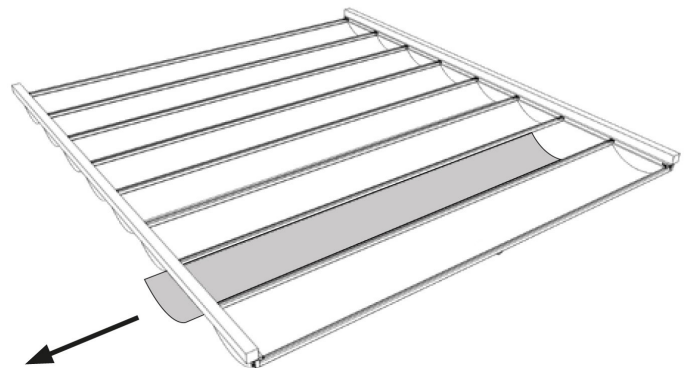
## The Standard Unit Cabana UP

Cabana Up is inclusive of a retractable canopy for existing structures. With a manual sliding open and closing system this pergola can transform your existing structure to a versatile outdoor space. Install the Cabana Up series to your existing wood, or aluminum beams to add a roof to an existing structure. Multiple modules can be used to cover longer dimensions.



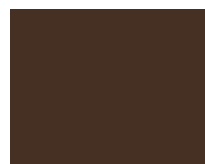
## Roof Attributes

The roman roof shade is comprised of multiple sheets instead on one continuous piece of material. This allows for easy maintenance and replacement.



## Standard Color Options

Powder Coated Aluminum has a strong UV Resistance, does not contain solvents or VOCs, and resists against scratches, corrosion, and chipping. Available in 4 standard colors Dark Brown, Dove Grey, Special Grey, and White



Dark Brown



Dove Grey



Special Grey



White

## Custom Color Options

Custom RAL Powder Coats are available for the frame so that you can match existing architecture or personal taste. From matching a sage green, pale blue, or specific gray color there are over 500 color options to choose from.



## Canopy Color Options

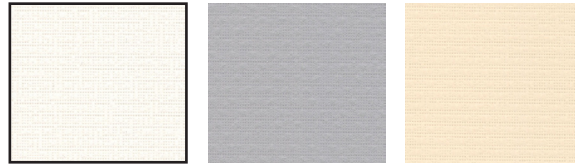
The manually operated roman roof shade is locked in to place with magnet sockets. This roof shade is made of PVC sheets that allow for east maintance.

**Soltis Proof W96** protects against sun and weather, while preserving the level of natural light with translucent and waterproof material. Also available in a non water proof version as Soltis 96.

**Preconstraint 402** has a laquered finish on both sides and protects against rain, UV and heat, complying with the leading fire classifications.

**Matte Blackout 602** is a high performance PVC with acylic finish on both sides. Provides 100% black out and a thermal barrier.

### Soltis W96



White

Grey

Champagne

### Preconstraint 402



White

Grey

Champagne

### Matte Blackout 602



White

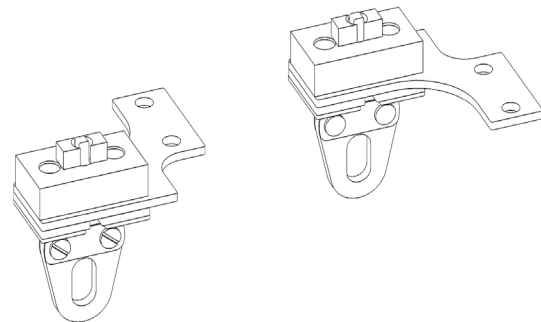
Grey

Champagne

Dove Grey

## Accessories

Add Purlin locks to either opening side to lock the roof in to a closed or open position.



## Mounting Option



Single Roof Max Dimension: 16'-4" W X 19'-8" L

### Rails Mount

The rails are attached to a preexisting structure from the underside.

