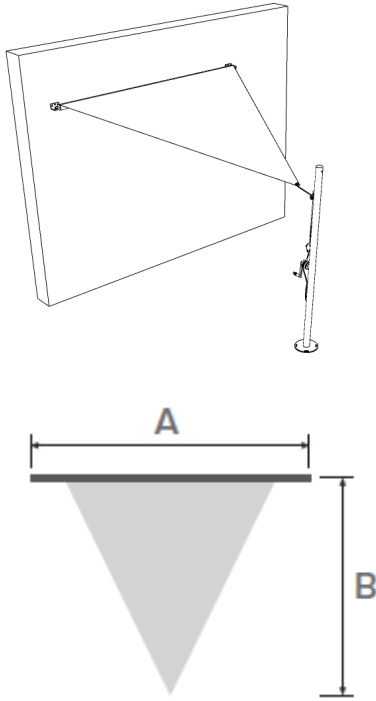


VELART





Triangular Sizes



A	B	H1	H2	Area SqFt
9'-10"	9'-10"	9'-3"	8'-2"	48
11'-5"	9'-10"	9'-3"	8'-2"	57
13'-1"	9'-10"	9'-3"	8'-2"	64
13'-1"	13'-1"	9'-3"	8'-2"	86
16'-4"	13'-1"	9'-3"	8'-2"	107
16'-4"	16'-4"	9'-3"	8'-2"	134
19'-8"	16'-4"	9'-3"	8'-2"	161
19'-8"	19'-8"	9'-3"	8'-2"	193

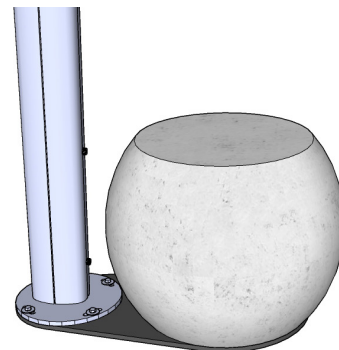
Retractable Sail Shade

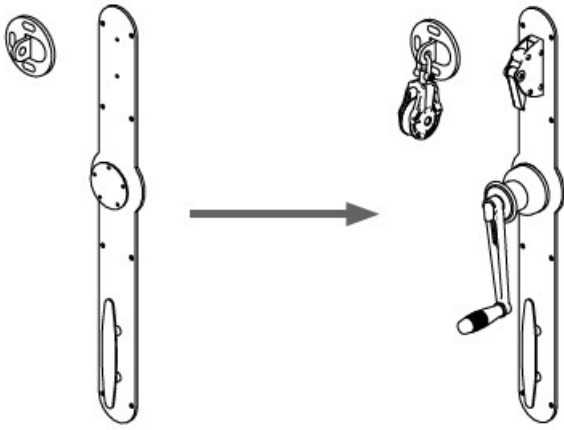
Velora has a central roller with a spring-assisted rewinding system, facilitating the manual opening and closure of the sails.



Non-Mounting Options

The structure can be installed anywhere in a very short time, even without preparing a foundation, thanks to an elegant ballast in white stone aggregate. Six stone ballasts are required to fully weigh the system down.





Mounting Options

Mounting options can vary based on each project's needs. Options for in-ground mounts allow the structure to affix to a pedestal or existing foundation. Wall mounts allow the sail shades to affix to walls and replace any post with the wall mount alternative of its function.

Sail Shade Material

Providing durable UV protection and contemporary shelter from rain. The large canopy of the Sail Shade provides an attractive, contract-grade shelter for outdoor events with an elegant silhouette to blend into the surrounding landscape.

-Yarn: 100% Polyester

-Weight:

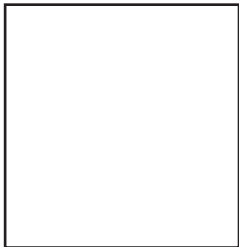
White Color- 430 g/m²

Beige Color- 210 g/m²

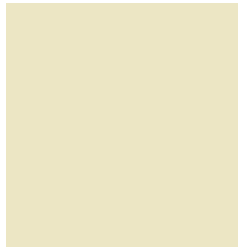
-Breaking Strength:

-White Color- 29.4 -37.7 daN./ 43.6- 50 daN per 1% for elongation

-Beige Color- 17-25.5 daN / 12.9-16 daN per 1% for elongation



White



Beige

Frame Material

Footing

Satin Finish Stainless Steel Ansi 316

Post

Powder Coated Aluminum has a strong UV resistance, does not contain solvents or VOCS, and resists against scratches, corrosion, and chipping.



Anodized Silver

