

# QZEBO





## The Standard Unit

The fabric is distinguished by a lowered dome tensioned from the inside thanks to a system of aluminium profiles. The fabric is installed using tailor-made profiles that integrate perfectly with the side cross-bars creating a structure with a unique and minimal design. Built with events in mind this structure can be put up or taken down many times.



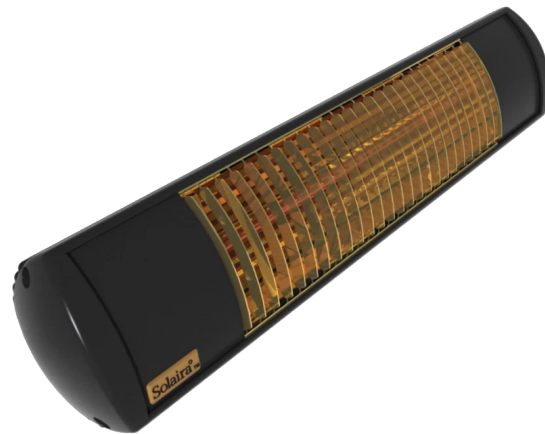
## Unique Features

Thanks to the tensioned domed PVC canopy, supported by a central pole, the gazebo provides reliable protection against rainwater, allowing you to enjoy your outdoor space even on wet days.



## Heaters

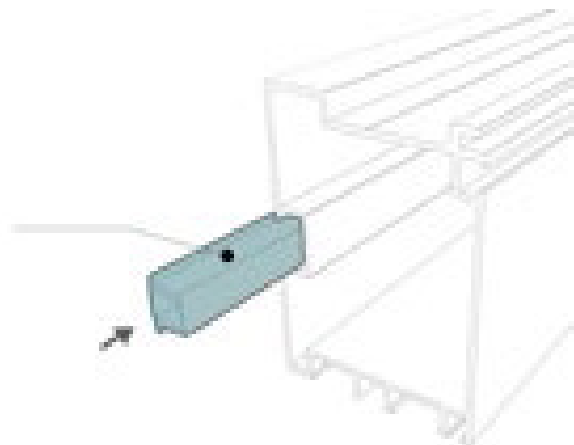
Heaters are available as an additional option providing warmth and extend the length of usability of your shelter to other seasons.



## LED Lighting

Lighting options are available in 2 options controlled with a remote.

Dimmable LED perimeter lighting  
Spot lights



## Screens

Siding options allow you to regulate the internal temperature and create a pleasant atmosphere in every season.

- PVC Strap on walls
- Decorative curtains
- VOK Manual Roller blinds
- Motorized Zip Screens



## Standard Color Options

Powder Coated Aluminum has a strong UV Resistance, does not contain solvents or VOCs, and resists against scratches, corrosion, and chipping. Available in 4 standard colors Quarts Grey, Anthracite Grey, Traffic White and Jet Black.



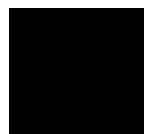
Quarts Grey  
RAL 7039  
Frame Only



Anthracite Grey  
RAL 7016



Traffic White  
RAL9016



Jet Black  
RAL 9005  
Frame Only

## Custom Color Options

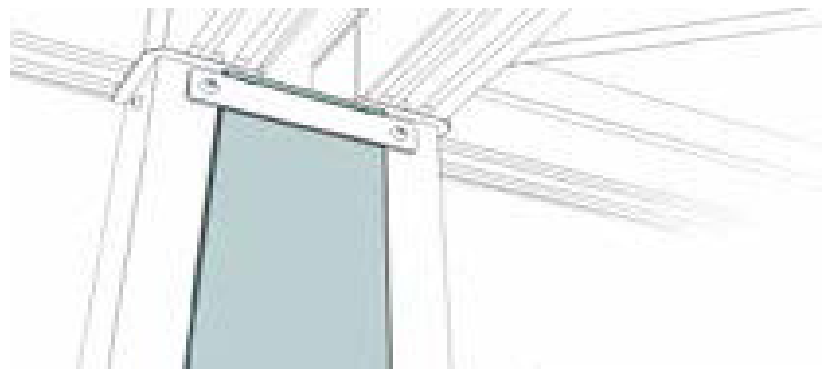
Custom RAL Powder Coats are available for both the frame and the louvers so that you can match existing architecture or personal taste. From matching a sage green, pale blue, or specific gray color there are over 500 color options to choose from.



## Raingutters and Junctions

Couple multiple units together to protect from rain with rain gutters.

Upgrade your layout by adding junction fillers to connect sistered poles.



## Special Events Marketing

Add graphics or marketing for events, menus, and logos to the pergolas.

Branding can be applied to all roofs, and side walls.



## Mounting Options



Type A Sandy Ground



Type B Hard Ground Stake



Type C Tarmac Stake

### Ground Stakes

Ground stakes allow the structure to be mounted to a variety of surfaces.



### Concrete Planter

This wall mount provides a cleat-like connection to the structure ensuring a close fit.



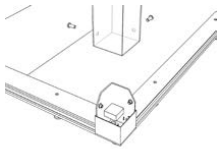
### Concrete weight

External ground mounts are available and give easy access to the mounting plate. A great option if you have flooring to overlay on the plate for a seamless look.



### Safety Strap

External ground mounts are available and give easy access to the mounting plate. A great option if you have flooring to overlay on the plate for a seamless look.

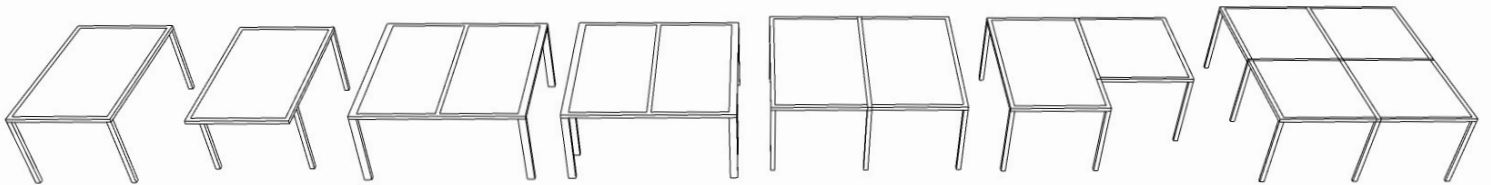


### Horizon Flooring Accessory

Horizon flooring replaces the direct anchorage to an existing slab or surface with a weighted ballast option.

## Multiple Configuration Options

Available in square or rectangular sizes and the ability to sister multiple units together with



1. Stand Alone | 2. Stand Alone with Overhang | 3. Coupled Roof | 4. Coupled with Door Pole | 5. Coupled in Length or Width | 6. L - Configuration | 7. Star Configuration